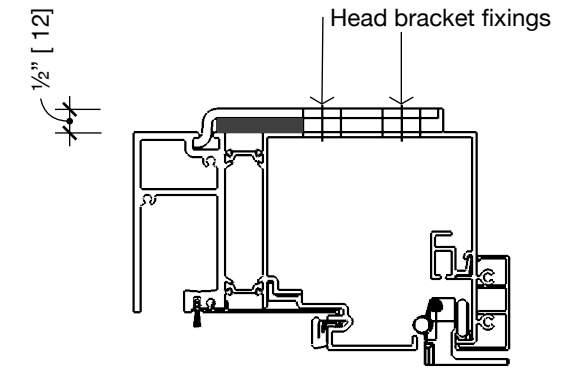
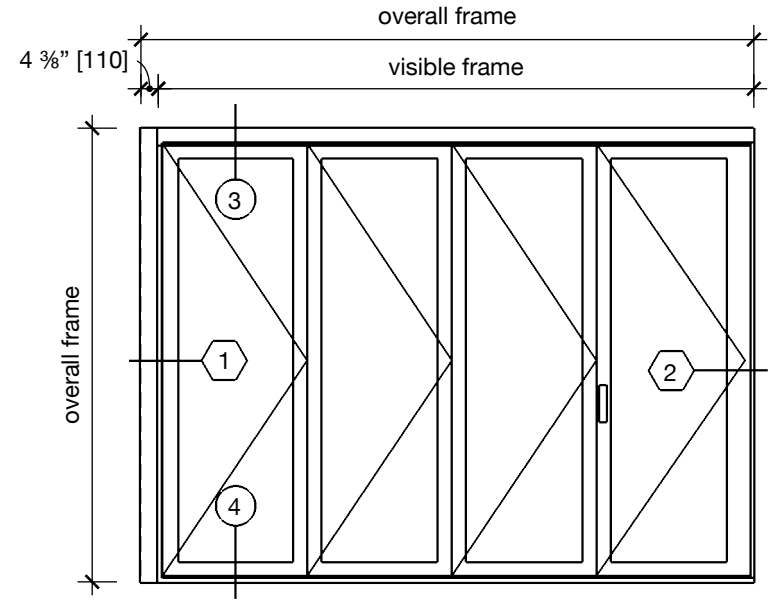


3. head detail

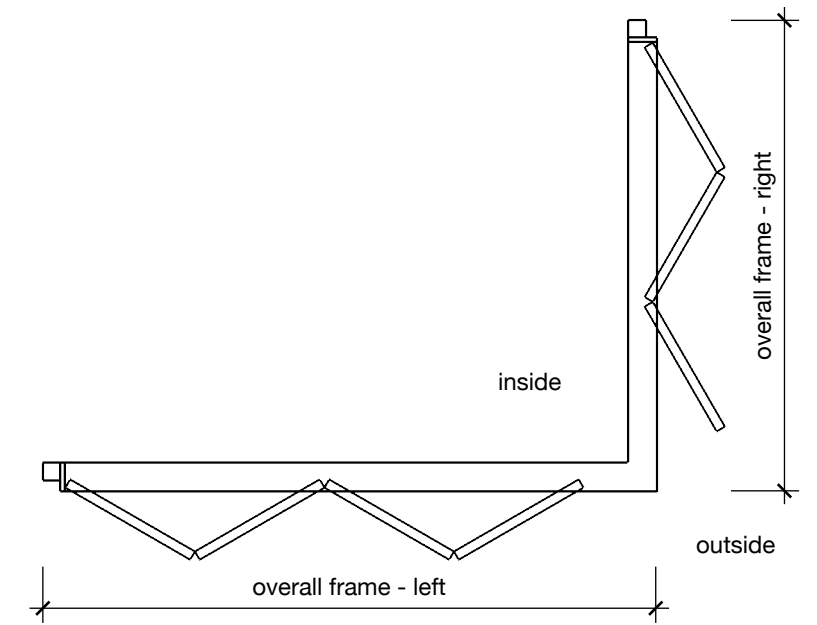


Head support bracket shown where fixing is inboard of the carrier track (folding doors only)

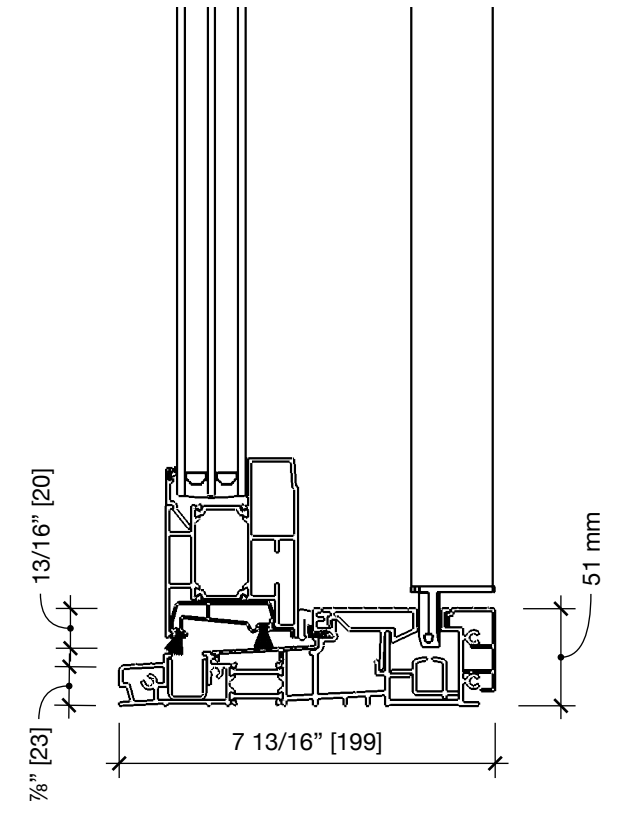
3a. head detail



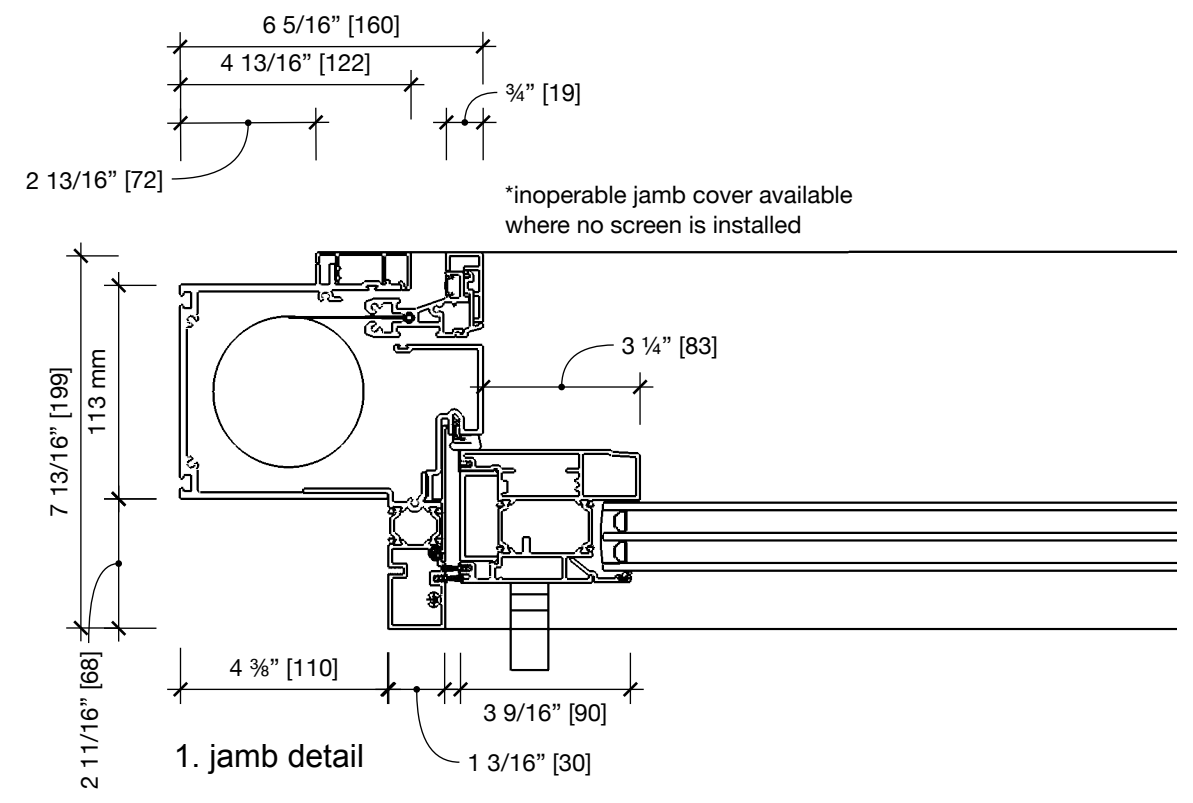
elevation key



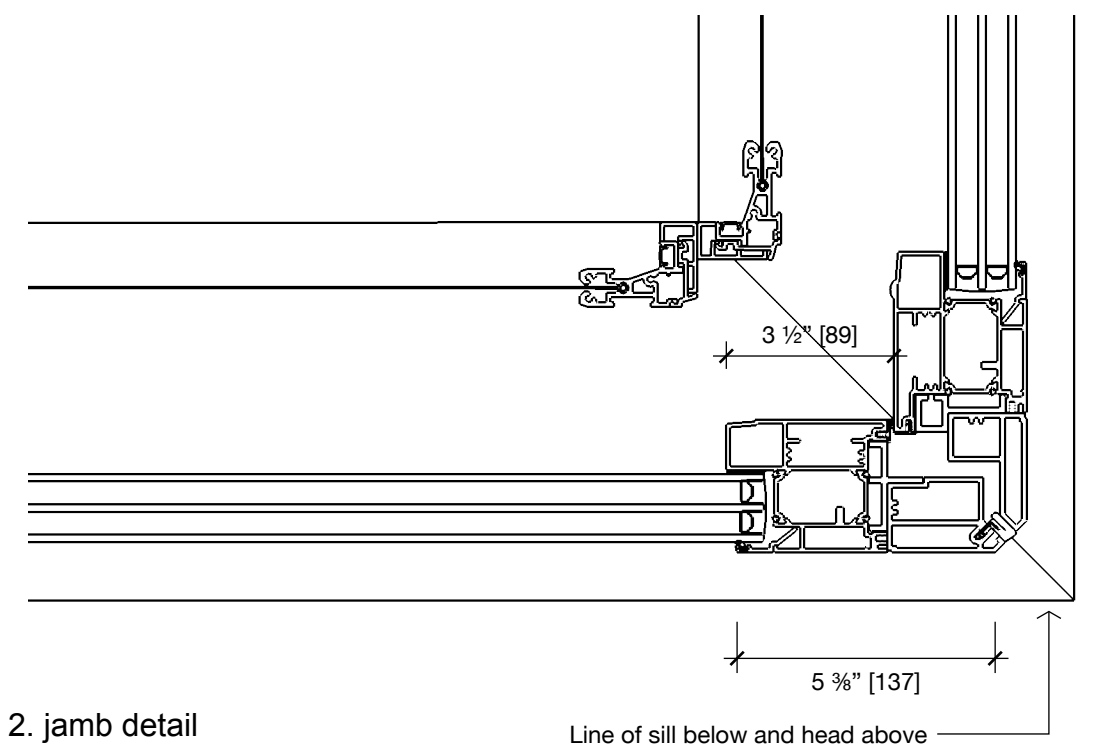
plan key



4. sill detail



1. jamb detail



2. jamb detail